

# NEW PRODUCT BULLETIN

# QUS270 BIN & CROSS DIVIDER

Organize your inventory with these strong bin, manufactured of FDA approved materials. Front, back and side grips for easy handling. Built-in rear hanger allows bins to hang from louvered panels or rails. Optional clear injection molded crystal styrene window front increases bin capacity and provides quick view of bin contents. Optional length or cross dividers maximize flexibility and keep contents organized. Wide stacking ledge and anti-slide lock keep stacked bins steady and prevent forward shifting. Water, rust, and corrosion proof. Easily cleaned with soap and water and impervious to most chemicals. Large molded front label slots for ID labels. Autoclavable up to 250°F and resistant to extreme cold. Guaranteed not to break or crack under normal load conditions.

**NEW COLOR!**

**NEW 3 CROSS DIVIDER SLOTS**



**QUS270**

**NEW CROSS DIVIDER**



shown with Cross Divider

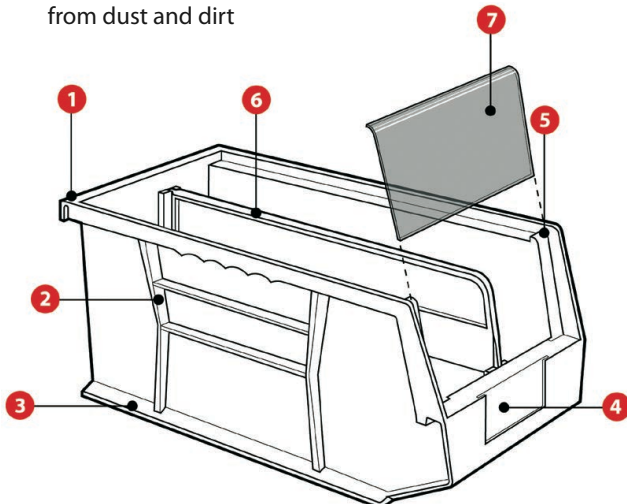
- BLUE** 
- GREEN** 
- IVORY** 
- RED** 
- YELLOW** 
- BLACK** 
- CLEAR** 
- STONE** 

**NEW**

MODEL NO.	OUTSIDE DIMENSIONS L" x W" x H"	INSIDE DIMENSIONS L" x W" x H"	CTN X"	CTN QTY	CTN WGT	CLEAR WINDOW	CTN QTY	DIVIDER QTY	CTN DIVIDER SLOTS	CROSS DIVIDER QTY	CTN DIVIDER SLOTS	CLEAR LABEL HOLDER & INSERT		
<b>QUS270</b>	18" x 16-1/2" x 11"	17-1/8" x 14-3/4" x 10-1/4"	14"	3	25 lbs	<b>WUS270</b>	3	<b>DUS270</b>	6	3	<b>CRDUS270</b>	6	3	<b>LTR-2400</b>

## PERFORMANCE FEATURES AND BENEFITS

- 1 Full width hanger supports bin when hanging from louvered panels or rails
- 2 Reinforced rib design adds strength and prevents spreading
- 3 Extra-wide stacking ledge for secure stacking
- 4 Large front label slot allows larger bar code scanning and content identification
- 5 Anti-slide stop prevents stacked bins from shifting forward
- 6 Optional dividers increase storage options
- 7 Optional windows maximize storage capacity, prevent spillage and protect parts from dust and dirt



**CRDUS270**  
Cross Divider



### CORPORATE HEADQUARTERS

15800 NW 15th Avenue  
Miami, Florida 33169  
Toll-Free **1-800-685-4665**  
Fax 305-688-2790  
sales@quantumstorage.com  
[www.quantumstorage.com](http://www.quantumstorage.com)

